

SWIT®

LA-WR8
Pocket Wireless DMX Controller
Ver:B

USER MANUAL

SWIT Electronics Co.,Ltd.

Tel:+86-25-85805753
Fax:+86-25-85805296
http://www.swit.cc
E-mail: contact@swit.cc

Congratulations on your purchase of this product. Please read this user manual carefully.

Caution

- Do not disassemble without permission.
- This product has no waterproof design. Please pay attention to waterproof when using.
- Please avoid storing the product in a dusty or humid environment, so as not to cause damage or affect the use.
- Working temperature: -20°C~60°C.

Description of appearance

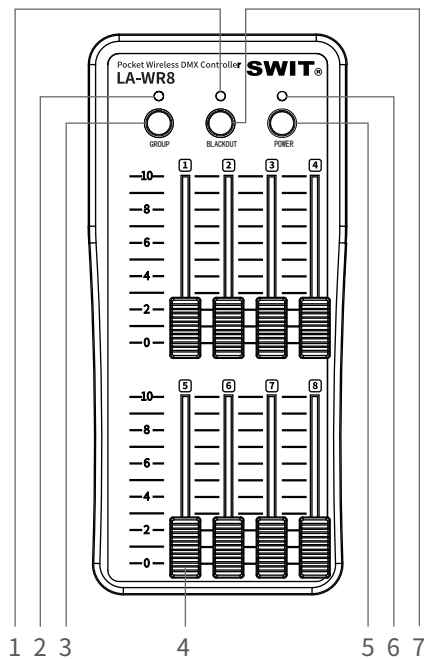


Fig 1 LA-WR8 Front View

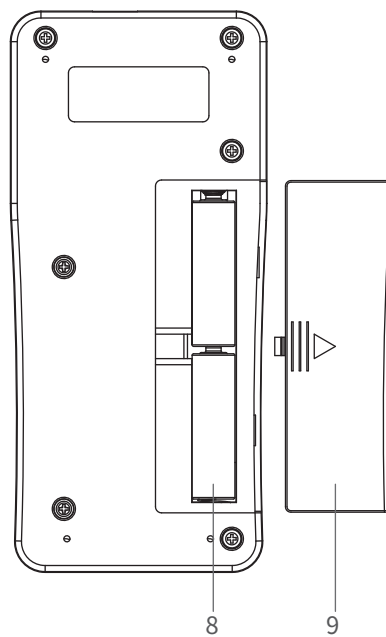


Fig2 LA-WR8 Back View

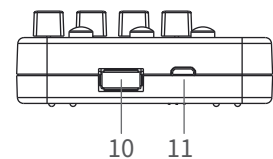


Fig3 LA-WR8 Top View

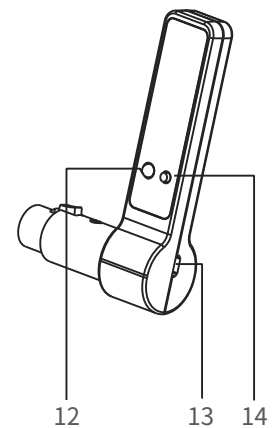


Fig4 LA-WR8 Accessory : LA-WR8-R

- 1 BLACKOUT INDICATOR
- 2 GROUP INDICATOR
- 3 GROUP SETTING BUTTON
- 4 PUSH ROD
- 5 POWER BUTTON
- 6 POWER INDICATOR
- 7 BLACKOUT BUTTON

- 8 AA BATTERY
- 9 BATTERY BACK COVER
- 10 USB—DMX/DC 5V OUTPUT SOCKET
- 11 Micro USB—DC 5V POWER INPUT SOCKET
- 12 GROUP INDICATOR
- 13 Micro USB—DC 5V POWER INPUT SOCKET
- 14 GROUP SETTING BUTTON

Usage Instruction

1. Power supply

- LA-WR8 has the following two power supply modes (DC 5V is preferred when two power supply modes are available at the same time):
 - Powered by 2x AA batteries (Figure 2-8)

The continuous working time is about 4h10min (The data is supplied by Nan Fu AA (LR6) battery, for reference only).
 - Powered by DC 5V through Micro USB socket (Figure 3-11)
- The accessory LA-WR8-R (Figure 4) is powered by DC 5V through Micro USB socket (Figure 4-13).

2. Button and indicators status instructions

• POWER BUTTON

LA-WR8 power control button. After press this button, the POWER indicator is on, and LA-WR8 is in working status. After press the POWER button again, or do not operate the push rod for 1min, LA-WR8 is powered off, and the POWER indicator is off.

• BLACKOUT BUTTON

It is used to turn off all lights output. After press this button, all lights output are turned off and BLACKOUT indicator is on.

• GROUP SETTING BUTTON

It is used for wireless grouping setting, seven groups in total. The user can use seven independent wireless networks without interference in the same place. The seven "GROUP" indicators are red, green, yellow, blue, purple, cyan, and white.

GROUP INDICATOR

- (1) "GROUP" indicator flashes: sending or receiving the data;
- (2) "GROUP" indicator always on: no wireless signal.

3. Usage

Install LA-WR8-R on the DMX port of the light, and switch the color the same color the same as LA-WR8, and can work normally. LA-WR8-R requires external DC 5V power supply. At present, our company's PL-E60D and PL-E90D control boxes are equipped with a USB socket, which can provide DC 5V power for LA-WR8-R.

Note:

- For convenience, LA-WR8-R can be powered by LA-WR8 USB socket (Figure 3-10) and paired before being used.
- The optional USB to 5pin XLR cable can realize the DMX wired control of the light.
- The LA-WR8-R main body can be rotated axially with a rotation angle of about 300°, which is furthest compatible with different types of lights.

Specification

Model	LA-WR8
Number of controllable DMX512 channels	8
Maximum number of controllable channels available for each controlled light	8
GROUP number	7
Effective communication distance	400m (open space)
Power supply	DC 5V or 2x AA batteries
Power	Approx. 1W
DMX signal output	USB or 2.4G wireless signal
Dimension(main body)	as shown at right
Net weight	274g (without battery)

Model	LA-WR8-R
GROUP number	7
Supply voltage	DC 5V
Power	Approx. 0.5W
Power input socket	Micro USB
Rotation angle	Approx. 300°
Dimension	as shown at right
Net weight	47g

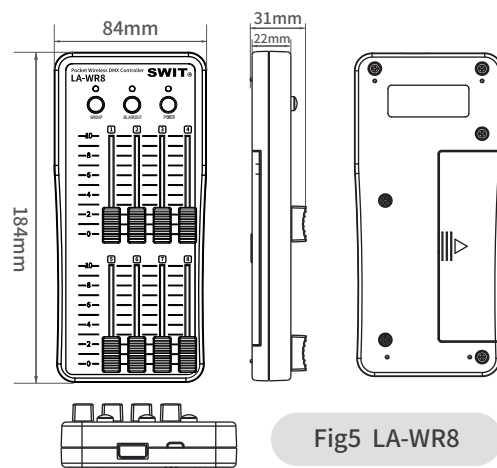


Fig5 LA-WR8

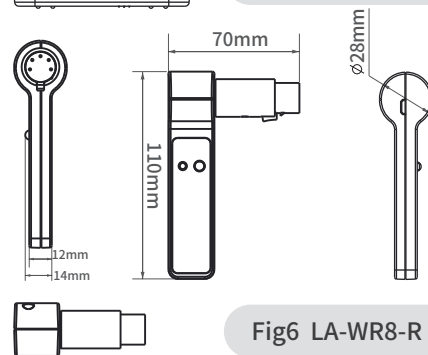


Fig6 LA-WR8-R

Packing List

	Packing list	LA-WR8	LA-WR8-R	LA-WR8-kit
1	LA-WR8	x 1	/	x 1
2	LA-WR8-R	/	x 1	x 3
3	250mm USB to Micro USB 2.0 cable	x 1	x 1	x 4
4	User Manual	x 1	x 1	x 1
5	Warranty Card	x 1	x 1	x 1
6	10cm USB to 5pin XLR cable (Optional)	Customers can purchase separately according to the requirements.		