

# SWIT®

PB-R160S/A、PB-R290S/A

Heavy Duty Digital Li-ion Battery Pack

Ver:B

# USER MANUAL

SWIT Electronics Co.,Ltd.

Tel:+86-25-85805753  
Fax:+86-25-85805296  
<http://www.swit.cc>  
E-mail: [contact@swit.cc](mailto:contact@swit.cc)

Congratulations on your purchase of this product. Please read this user manual carefully.

## Warning

**Keep in mind the following precautions to avoid fire and other safety hazards!**

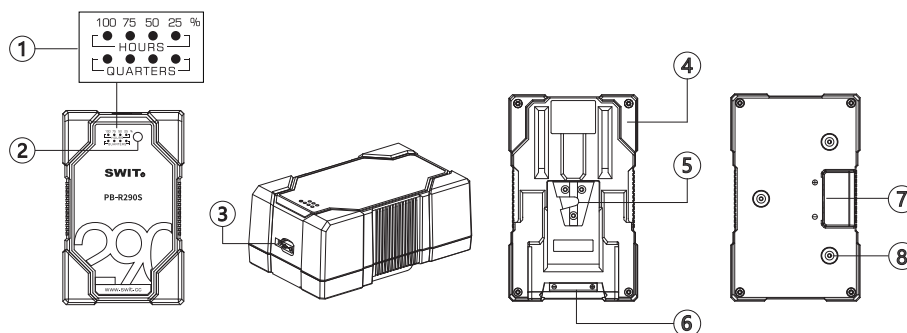
- Do not use battery in fire or hot places to prevent overheating, cracking and other hazards.
- Please do not pierce the battery shell or try to open the shell and decompose the battery.
- Do not use battery beyond charge, discharge and storage environment temperature.
- Do not charge the battery in the car or in direct sunlight.
- Do not use damaged battery.
- Do not squeeze the battery shell which may cause physical damage.
- Make sure the power-consuming equipment(s) meet the battery specifications.
- Use SWIT charger or SWIT recommended charger to charge the battery to avoid overheating or beak.
- Keep out of the reach of children.

## Caution

- Fully charged battery will discharge naturally and please use it as soon as it gets charged.
- The battery may become warm in use or while being charged. This is normal.
- Never expose the battery to temperature above 60°C.
- Keep the battery terminals clean and never short-circuit the battery terminals.
- When stored for a long time, please keep the battery power between 50% and 90%, please do not save it for a long time after it has run out of power.

## Features

- High performance rechargeable lithium ion battery, no memory effect.
- Double rows of touch digital LED power indicators to display battery capacity and remaining running time under current power consumption in real time.
- Innovative appearance and structure design, anti-drop and durable.
- D-tap DC output, to power the camera and other equipment simultaneously.
- High load output, prolong service time.
- 6A fast charging (Using SWIT fast charging charger).



- ① LED power indicators
- ② Power check button
- ③ D-tap output socket
- ④ Protective rubber covers
- ⑤ V-shape lock
- ⑥ V-mount electrode output
- ⑦ Gold-mount electrode output
- ⑧ Gold-mount lock

## The Description of LED Power Indicator

- When charging and free, the upper 4 LEDs display current capacity percentage.
- In discharging status, press “power check” button, the upper row shows hour(s); the lower row shows minutes in green to indicate the remaining running time under current power consumption.
- The details are as below:

Free					
LED Indicator Status					
Remaining Capacity	Capacity < 25%	25% ≤ Capacity < 50%	50% ≤ Capacity < 75%	75% ≤ Capacity < 95%	Capacity ≥ 95%
Charging					
LED Indicator Status					
Remaining Capacity	Capacity < 25%	25% ≤ Capacity < 50%	50% ≤ Capacity < 75%	75% ≤ Capacity < 95%	Capacity ≥ 95%
Discharging					
LED Indicator Status					
Remaining Running Time	0~15min	15min~30min	30min~45min	45min~60min	60min~75min
LED Indicator Status					
Remaining Running Time	75~90min	90min~105min	105min~120min	120min~135min	135min~150min
LED Indicator Status					
Remaining Running Time	150~165min	165min~180min	180min~195min	195min~210min	210min~225min
LED Indicator Status					
Remaining Running Time	225~240min	240~255min	255~270min	270~285min	285~300min
LED Indicator Status		<b>Note:</b>			
Remaining Running Time	≥300min	1. “⊙”→Power check button, “○”→Off, “●”→On, “⚙”→flash 2. In charging and free status, the LED indicators will be in red; while in discharging status, the LED indicators will be in green.			

## Specification

Model	PB-R160S	PB-R160A	PB-R290S	PB-R290A
Battery plate	V-mount	Gold-mount	V-mount	Gold-mount
Nominal voltage	14.4V	14.4V	14.4V	14.4V
Capacity	160Wh,11.1Ah	160Wh,11.1Ah	290Wh,20.1Ah	290Wh,20.1Ah
Max output	Electrodes	200W,16A	200W,16A	250W,20A
	D-TAP	120W,10A	120W,10A	120W,10A
	In total	200W	200W	250W
Dimension	162X101X53mm	162X101X59mm	162X101X69mm	162X101X75mm
Net weight	1.08kg	1.08kg	1.51kg	1.51kg
Max charging current	7A	7A	7A	7A
Charging temperature	0~40°C (10~30°C recommended)			
Discharging temperature	-20°C~50°C (-10~40°C recommended)			