

**SWIT®****PL-S300D Straight Down Flat Panel Light**

Ver: A

# USER MANUAL

**SWIT Electronics Co.,Ltd.**Tel:+86-25-85805753  
Fax:+86-25-85805296  
http://www.swit.cc  
E-mail: contact@swit.cc

Thank you for choosing SWIT products. Please read the instructions before using, and keep it for future reference.

## TECHNICAL PARAMETERS

| Model                | PL-S300D                          |
|----------------------|-----------------------------------|
| LED Beads            | 1200pcs                           |
| Color Temperature    | 2700K-6500K                       |
| Brightness           | 0%-100%                           |
| Light Intensity      | 10000 Lux@1m                      |
| Half Peak Beam Angle | 64°/40° (with Honeycomb)          |
| CRI                  | 96                                |
| TLCI                 | 99                                |
| SSI(D55)             | 75                                |
| Power Consumption    | About 300W                        |
| Operating Voltage    | AC100-240V ,50/60Hz, DC 48V       |
| Size                 | See Fig.s 1 and 2 for details     |
| Weight               | 8.76Kg<br>9.74Kg (With barn door) |

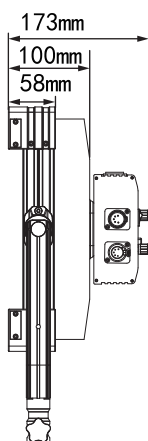


Fig. 1 PL-S300D dimensional drawing (side view)

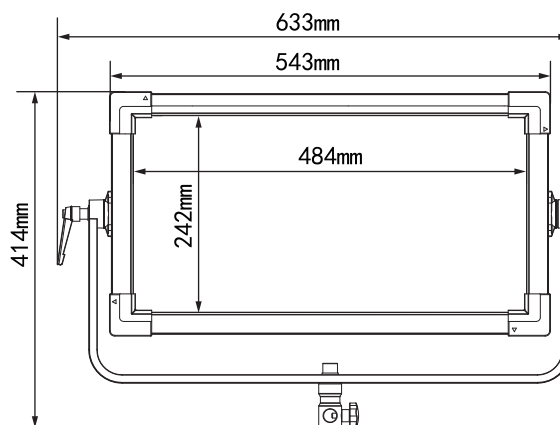


Fig. 2 PL-S300D dimensional drawing (front view)

## NOTE

1. Do not disassemble the fixture or touch the inside of the fixture control box with metal objects to avoid damage;
2. Do not storing the luminaire in dusty or humid environments;
3. Please avoid hard objects to scratch the diffusion plate, so as not to affect the use of results;
4. Light oils and stains on the surface of the lamp body can be wiped with a clean cloth;
5. Working temperature of this product is -10°C to 40°C.

## APPEARANCE DESCRIPTIONS

### 1. Back View

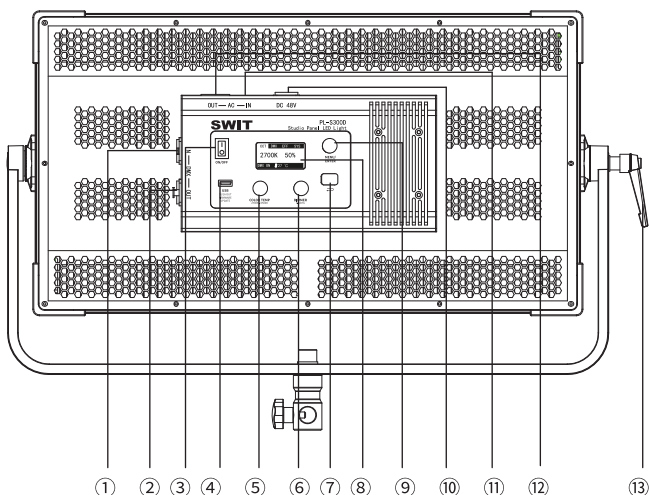


Fig. 3 PL-S300D Back View

- ① DMX IN
- ② DMX OUT
- ③ Power Switch
- ④ USB
- ⑤ COLOR TEMP Knob
- ⑥ DIMMER Knob
- ⑦ Return Button
- ⑧ LCD
- ⑨ MENU/ENTER Button
- ⑩ DC 48V input connector
- ⑪ AC IN Connector
- ⑫ AC OUT Connector
- ⑬ Fasten knob
- ⑭ U-bracket
- ⑮ York Connector
- ⑯ barn door
- ⑰ Diffuser

### 2. Front View

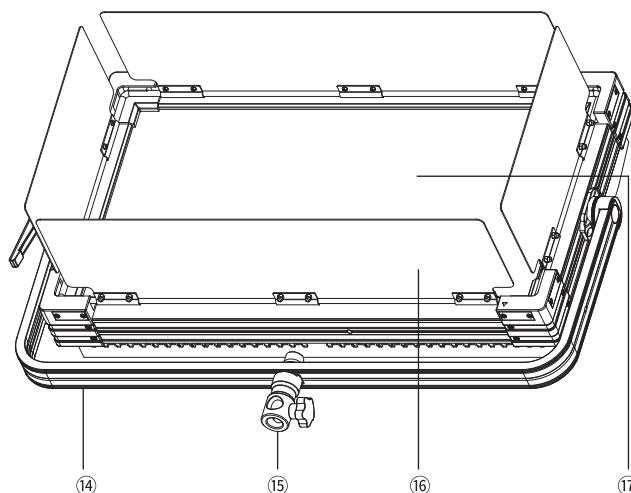


Fig. 4 PL-S300D Front View

**Note:** The upper and lower bezels of the lamp body have a ring mounting hole respectively.

## CONTROL PANEL

The working modes of this product include: CCT, DMX, EFF, SYS, and the control panel knobs and buttons function as follows:

- › "MENU/ENTER" Knob: Switching of operating modes and parameter setting by Pressing or Rotating.;
- › "↩" Button: Return to Previous Menu
- › "COLOR TEMP" Knob: Color Temperature Control
- › "DIMMER" Knob: Brightness Control

### 1.CCT Mode

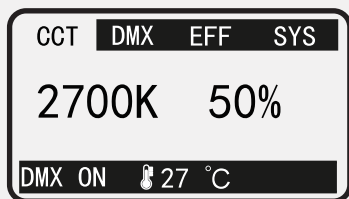


Fig.5 CCT Mode

In this mode, the user can set the "color temperature" and "brightness" parameters through the parameter adjustment knobs shown in Fig. 3 ⑤/⑥, and the display interface also shows the on/off status of DMX and the current temperature of the light source.

**Note:** The working status of DMX and FAN needs to be set in the "SYS" menu.

| No. | Parameters | Adjustment range | Minimum adjustment step |
|-----|------------|------------------|-------------------------|
| 1   | Color Temp | 2700K-6500K      | 50K                     |
| 2   | Brightness | 0%-100%          | 1%                      |

Table.1 [CCT mode]Adjustable parameters and adjustment range

## 2.DMX Mode

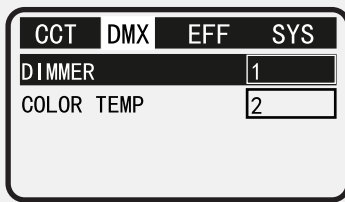


Fig.6 DMX Mode

To enable this mode, users need to set [DMX ON/OFF] to ON in the [SYS] menu, and in this mode, users can independently set the DMX channel address for brightness, Color temperature, etc. by pressing/rotating the "MENU/ENTER" knob.

| No. | Parameters | Adjustment range | Minimum adjustment step |
|-----|------------|------------------|-------------------------|
| 1   | Color Temp | 1-512            | 1                       |
| 2   | Brightness | 1-512            | 1                       |

Table.2 【DMX Mode】Adjustable parameters and adjustment range

## 3.EFF Mode

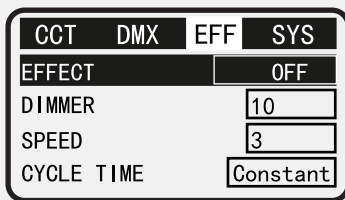


Fig.7 EFF Mode

In this operating mode, the user can select scenes and set parameters by pressing/turning the "MENU/ENTER" knob

| No. | Parameters | Adjustment range                   | Minimum adjustment step |
|-----|------------|------------------------------------|-------------------------|
| 1   | EFFECT     | OFF, Candle, Lightning, FaultyBuld | /                       |
| 2   | DIMMER     | 0-100                              | 1                       |
| 3   | SPEED      | 1-10                               | 1                       |
| 4   | CYCLE TIME | Constant, One Time                 | /                       |

Table.3 【EFFX Mode】Adjustable parameters and adjustment range

## 4.SYS Mode

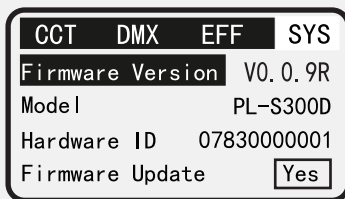


Fig.8 【SYS】Display Screen No.1

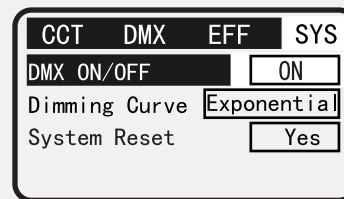


Fig.9 【SYS】Display Screen No.2

Users can set system parameters and learn other related information such as firmware version number, product specifications, hardware number, etc. under the [SYS] display interface.

| No. | Menu             | Parameters   | Functions                             |
|-----|------------------|--------------|---------------------------------------|
| 1   | Firmware Version | V0.0.9R      | Native Firmware Version               |
| 2   | Model            | PL-S300D     | Product Specification of this Product |
| 3   | Hardware ID      | 078300000011 | Native Hardware Number                |
| 4   | Firmware Update  | Yes          | Firmware Upgrade                      |
| 5   | DMX ON/OFF       | ON           | DMX ON                                |
|     |                  | OFF          | DMX OFF                               |
| 6   | Dimming Curve    | Linear       | Linear Dimming Curves                 |
|     |                  | Logarithmic  | Logarithmic Dimming Curves            |
|     |                  | Exponential  | Exponential Dimming Curves            |
|     |                  | S Curve      | "S" Dimming Curve                     |
| 7   | System Reset     | Yes          | System Reset & Initialization         |

## FIRMWARE UPGRADE

### 1. Program Upgrade Package Acquisition

Access: <http://www.swit.cc>

### 2. Firmware Upgrades

- 1) Prepare an empty USB stick with the file system FAT32;
- 2) Place the firmware upgrade package in the root directory of the USB stick;
- 3) Turn on the power switch to make the PL-S300D in working condition, insert the USB flash drive into the USB port in Fig. 3 ④;
- 4) Rotate, press the "MENU/ENTER" knob, press "**SYS**"→"**Firmware Update**"→"**Yes**" path to upgrade the firmware;
- 5) Wait for the prompt for success and restart PL-S300D, check the firmware version to confirm whether the upgrade is successful or not:
  - › rotate, press the "MENU/ENTER" knob, press "**SYS**"→"**Firmware Version**" path to view the firmware version of the machine, if the version number is the same as the version number of the upgrade package, it means that the firmware upgrade is successful;
  - › If the firmware upgrade fails, see【General Handling of failed upgrades】.

### 3. General handling of failed upgrades

If the firmware upgrade prompt fails, try the following two methods:

- 1) Press the "MENU/ENTER" key to exit the current interface, repeat the【Firmware Upgrades】step 4), until the upgrade is successful;
- 2) Replace the USB memory stick that meets the requirements and repeat【Firmware Upgrades】step 2) to step 5) until the upgrade is successful.

#### Note:

1. Do not power down or unplug the USB stick during the upgrade process!!!
2. The USB memory stick file system is FAT32!!!
3. Firmware upgrade package in the root directory of the USB stick!!!

## PACKING LIST

| NO. | Details          | Quantity |
|-----|------------------|----------|
| 1   | PL-S300D         | X1       |
| 2   | Sunshade         | X1       |
| 3   | AC Plug-in       | X1       |
| 4   | Safety Rope      | X2       |
| 5   | Hanging Rings    | X2       |
| 6   | Power Cable (4m) | X1       |
| 7   | Flight case      | Optional |
| 8   | Honeycomb        | Optional |