

SWIT®**PL-S300H Straight Down Flat Panel Light**

Ver: A

USER MANUAL

SWIT Electronics Co.,Ltd.

Tel:+86-25-85805753
 Fax:+86-25-85805296
 http://www.swit.cc
 E-mail: contact@swit.cc

Thank you for choosing our products, please read the instruction manual before using and keep it for future reference.

Technical Parameters

Model	PL-S300H					
LED quantities	280pcs					
Color temperature	2700K-6500K					
Brightness	0%-100%					
illumination	Distance	illumination /Lux				
		2700K	3200K	4500K	5600K	6500K
	1m	40021	41312	43772	45067	47152
	3m	4447	4590	4864	5007	5239
	5m	1600	1652	1751	1803	1886
Half Peak Beam Angle	45°/40° (with honeycomb)/55° (with softbox)					
CRI	97					
TLCI	98					
SSI(D55)	74					
Power Consumption	Around 300W					
Operating voltage	AC100-240V ,50/60Hz DC 48V					
Lamp body size	See Fig.1 and 2 for details					
Weight	9.56Kg (with Barn Door)					

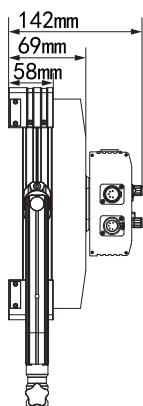


Fig. 1 PL-S300H dimensional drawing (side view)

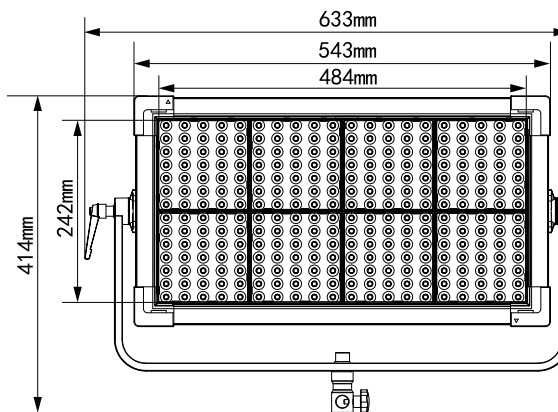


Fig. 2 PL-S300H dimensional drawing (front view)

Cautions

1. Do not disassemble the luminaire or touch the interior of the luminaire with metal objects as this may cause damage;
2. Do not use outdoors in rain or snow or leave the luminaire in a wet environment;
3. To ensure safety when using the luminaire, please use it with a safety rope;
4. Use this product only in the temperature range of -10°C to 40°C.

Appearance

1. Back View

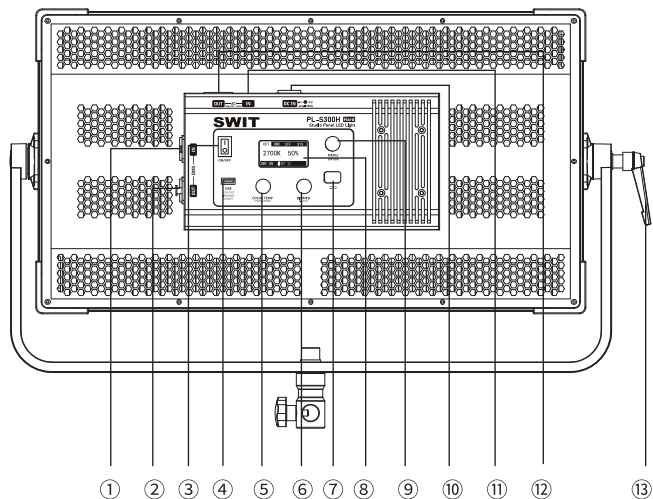


Fig.3 PL-S300H back view

- ① DMX IN
- ② DMX OUT
- ③ POWER
- ④ USB
- ⑤ COLOR TEMP knob
- ⑥ DIMMER knob
- ⑦ Back
- ⑧ LCD
- ⑨ MENU/ENTER

2. Front View

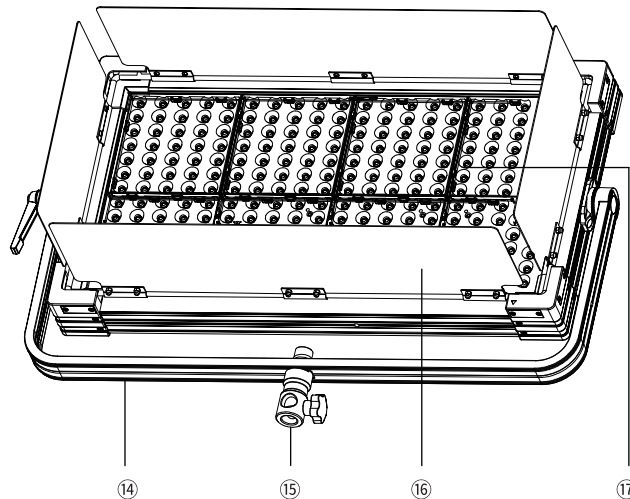


Fig. 4 PL-S300H front view

- ⑩ DC 48V input interface
- ⑪ AC IN
- ⑫ AC OUT
- ⑬ adjusting handle
- ⑭ U-shaped bracket
- ⑮ U-bracket adapters
- ⑯ barn door
- ⑰ lenticular

Note: The lamp body features a ring mounting hole positioned at both the top and bottom bezels for convenient installation.

Control Panel And Usage

The operating modes include: CCT Mode, DMX Mode, EFF Mode, SYS Mode, the control panel knobs and keys function as follows:

- › **"MENU/ENTER" Knob:** Working mode switching and parameter setting by pressing or rotating;
- › **"↩" Button:** Back to previous menu
- › **"COLOR TEMP" Knob:** Color temperature parameter adjustment
- › **"DIMMER" Knob:** Brightness parameter adjustment

1.CCT Mode

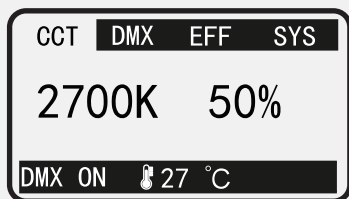


Fig.5 CCT Mode

In this operating mode, the user can set the "color temperature" and "brightness" parameters via parameter adjustment knobs shown in Fig... 3 ⑤/⑥. The display panel conveniently indicates the on/off status of the DMX controller as well as the current temperature of the light source, providing users with essential information at a glance.

Note: The operating status of the DMX and FAN needs to be set in the "SYS" menu.

No.	Parameters	Adjustment range	Min. adjustment step
1	CCT	2700K-6500K	50K
2	DIMMER	0%-100%	1%

Table.1 [CCT mode]Adjustable parameters and adjustment range

2.DMX Mode

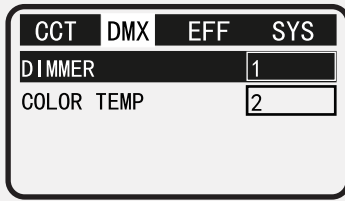


Fig.6 DMX Mode

To enable this mode, the user needs to set [DMX ON/OFF] to ON in the [SYS] menu, where the DMX channel address for brightness and color temperature, etc. can be set independently by pressing/rotating the "MENU/ENTER" knob.

No.	Parameters	Adjustment range	Min. adjustment step
1	CCT	1-512	1
2	DIMMER	1-512	1

Table 2 【DMX Mode】Channel definition and adjustment range

3.EFF Mode

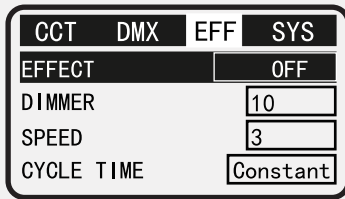


Fig.7 EFF Mode

In this operating mode, the user can select scenes and set parameters by pressing/turning the "MENU/ENTER" knob.

No.	Parameters	Adjustment range	Min. adjustment step
1	EFFECT	OFF, Candle, Lightning, FaultyBuld	/
2	DIMMER	0-100	1
3	SPEED	1-10	1
4	CYCLE TIME	Constant, One Time	/

Table 3 【EFF Mode】Scene selection and parameter setting

4.SYS Setting

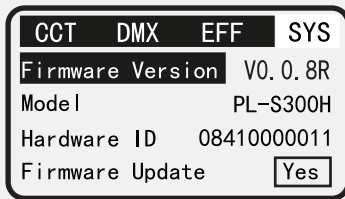


Fig.8 【SYS】Display Screen No.1

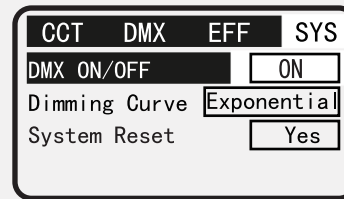


Fig.9 【SYS】Display Screen No.2

Under the [SYS] display, users can set system parameters and learn other relevant information such as firmware version number, product specification, hardware number, etc.

No.	Menu list	Parameter List	Function description
1	Firmware Version	V0.0.8R	Firmware version of this machine
2	Model	PL-S300H	Product Specification
3	Hardware ID	08410000011	Hardware number
4	Firmware Update	Yes	Firmware upgrade
5	DMX ON/OFF	ON	DMX function on
		OFF	DMX function off
6	Dimming Curve	Linear	Linear dimming curve
		Logarithmic	Logarithmic dimming curve
		Exponential	Exponential dimming curve
		S Curve	"S" dimming curve
7	System Reset	Yes	System reset, initialisation

Firmware Upgrades

1. Program upgrade package access

Access: <http://www.swit.cc>

2. Firmware upgrade steps

- 1) Prepare an empty USB stick with a FAT32 file system;
- 2) Place the firmware upgrade package in the root directory of the USB stick;
- 3) Turn on the power switch so that the PL-S300H is in working condition, insert the USB flash drive into Fig. 4 ③ USB port;
- 4) Rotate, press the "MENU/ENTER" knob and press "SYS" → "Firmware Update" → "Yes" to upgrade the firmware;
- 5) Wait for a successful prompt and reboot the PL-S300H to check the firmware version and confirm that the upgrade is successful:
 - › Rotate, press the "MENU/ENTER" knob, press "SYS" → "Firmware Version" path to check the firmware version of the machine, if the version number is the same as the upgrade package version number, then the firmware upgrade is successful;
 - › If the firmware upgrade fails, see [General Handling of Upgrade Failures] for details

3. General handling of failed upgrades

If the firmware upgrade prompt fails, try the following two methods:

- 1) Press the "MENU/ENTER" key to exit the current interface and repeat [firmware upgrade steps] step 4) until the upgrade is successful;
- 2) Replace the USB flash drive with one that meets the requirements and repeat steps 2) to 5) of the [Firmware Upgrade Procedure] until the upgrade is successful;

Attention:

1. Do not power off or unplug the USB drive during the upgrade process!
2. The file system of the USB flash drive is FAT32!
3. The firmware upgrade package is placed in the root directory of the USB drive!

Packing List

NO.	Details	Amount
1	PL-S300H	x 1
2	Hood	x 1
3	AC plugs	x 1
4	Safety cords	x 2
5	hook	x 2
6	Power cord (4m)	x 1
7	Softbox	Optional
8	honeycomb	Optional